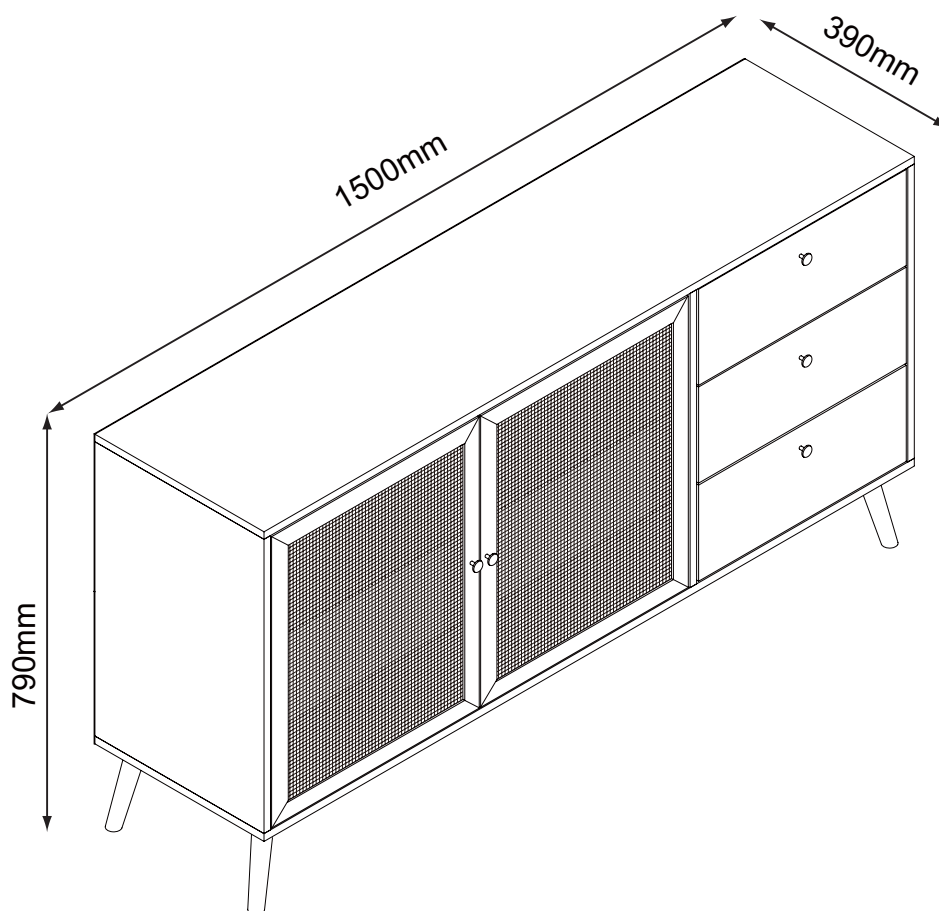




## ASSEMBLY INSTRUCTION KALISTA BUFFET

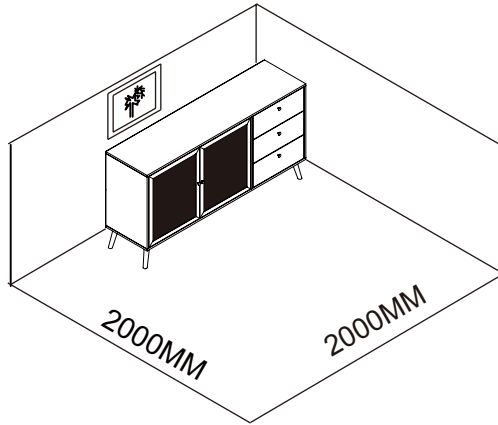
ITEM CODE 70234

Imported by Amart Furniture Pty Ltd, Qld, Brisbane Australia.  
For any assistance with assembly or for missing parts please phone  
Amart Furniture, Customer Service Free call 1800 351 084



Imported by Amart Furniture Pty Ltd, Qld, Brisbane Australia.  
For any assistance with assembly or for missing parts please phone  
Amart Furniture, Customer Service Free call 1800 351 084





<p>ALLOW 30MINUTES</p>	<p>PEOPLE REQUIRED</p>
<p>ADDITIONAL TOOLS REQUIRED</p>	

! **TIPPING WARNING** !

**Serious or fatal injuries may occur from furniture toppling over. To help avoid this please follow the below recommendations:**

- Install the provided "Tipping Kit" as per the instructions
- Never allow children to climb on or hang off of any part of this product
- Unless specifically designed to accommodate, do not set TVs or other heavy objects on top of this product

If this product has drawers:

- Place the heaviest items in lowest drawers
- Do not open more than 1 drawer at a time as this may cause the product to become unbalanced
- Do not tamper with or remove any drawer interlocking/running system

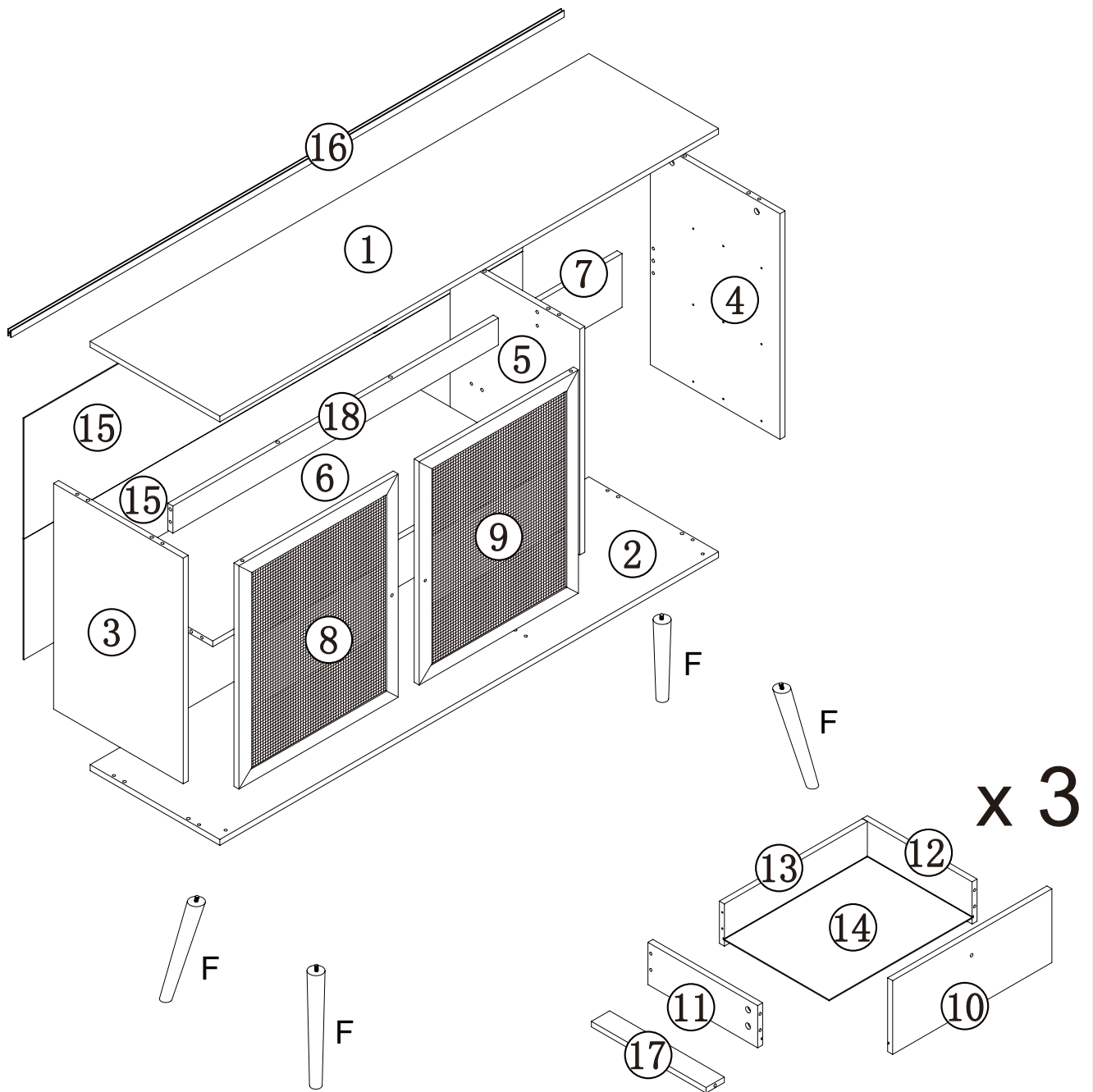
**Note: The use of the provided "Tipping Kit" may reduce but not necessarily eliminate the risk of furniture toppling over. Please use this product with caution.**

*This is a permanent label. Do not attempt to remove!*

**Assembly is to be carried out by a competent adult only.**  
**During assembly children should be kept away from the product due to possible risk of injury.**  
**Do not use this item if any components are missing or damaged.**  
**Please keep these instructions for future reference.**



# EXPLODED EXAMPLE







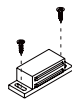

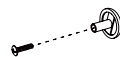

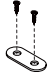

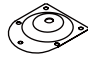




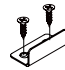




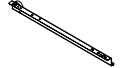



# CHECKLIST

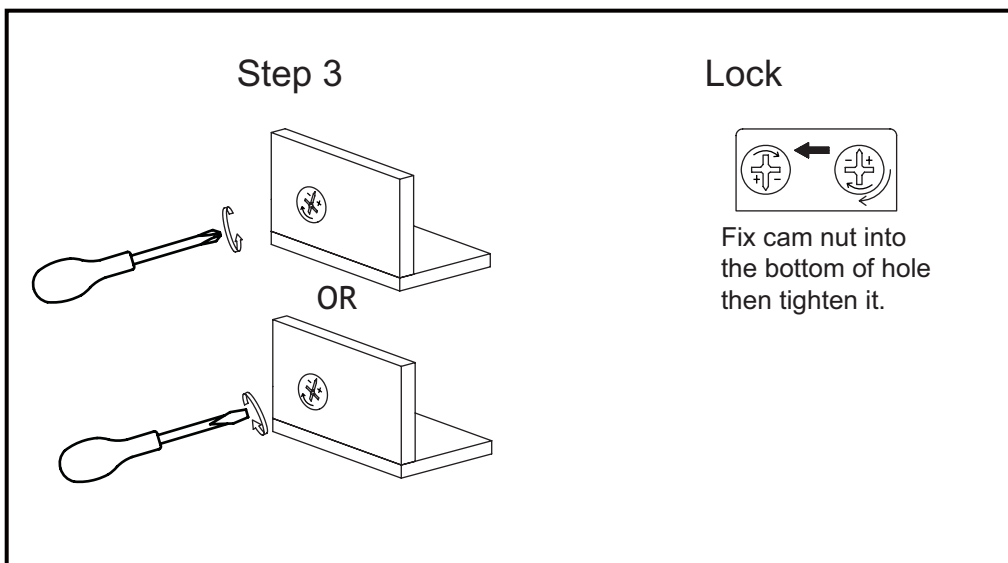
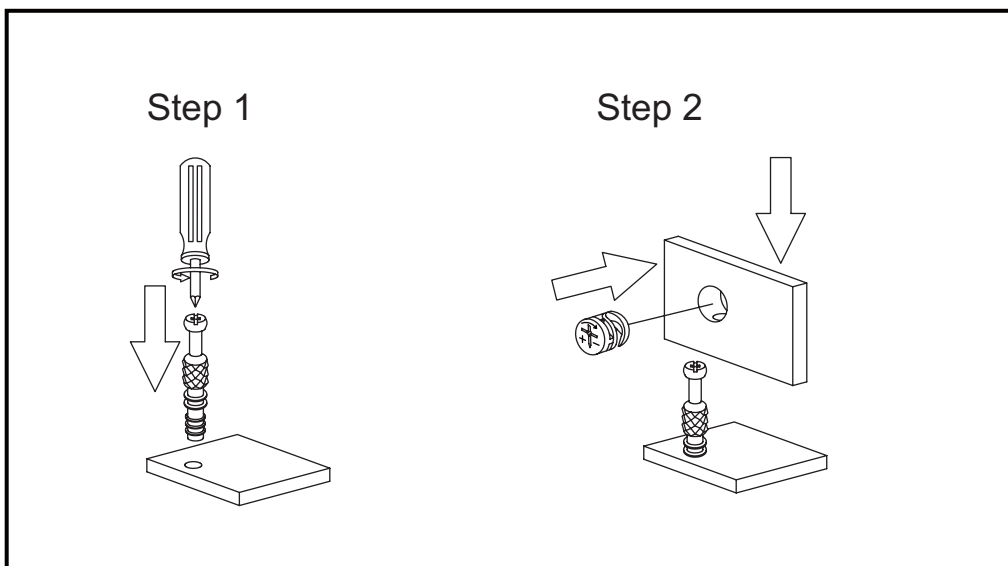
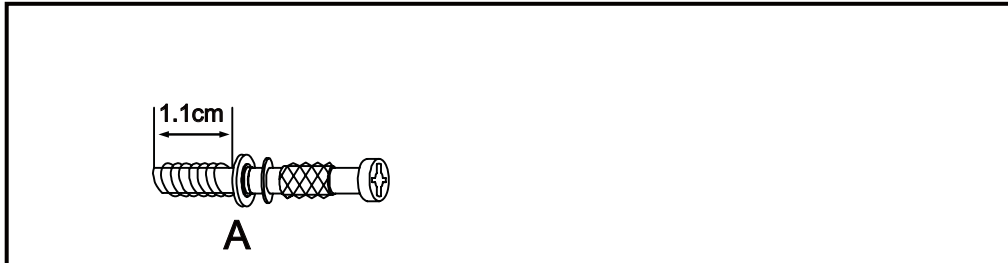
Before you start.....

1. Choose a clean, level, spacious assembly area. Avoid hard surfaces that may damage the product.
2. Check and ensure that you have all required contents for complete assembly.
3. Always read the assembly instructions carefully before beginning assembly.
4. The packaging and contents can be a choking hazard. Please keep out of reach of small children at all times.
5. Do not over tighten the bolts as this may damage the thread.



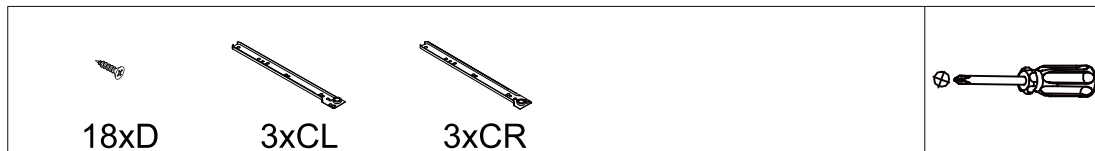
<b>A</b> <input type="checkbox"/> cam pin  M7x39mm 31xA	<b>B</b> <input type="checkbox"/> cam lock  28xB	<b>C</b> <input type="checkbox"/> dowel  M8x30mm 22xC	<b>D</b> <input type="checkbox"/> screw  M3.5x14mm 36xD	<b>E</b> <input type="checkbox"/> screw  M5x40mm 18xE
<b>F</b> <input type="checkbox"/> leg  4xF	<b>G</b> <input type="checkbox"/> door catch  2xG	<b>H</b> <input type="checkbox"/> screw  M4x14mm 20xH	<b>I</b> <input type="checkbox"/> handle  5xI	<b>J</b> <input type="checkbox"/> screw  M3x16mm 26xJ
<b>K</b> <input type="checkbox"/> stopper  2xK	<b>L</b> <input type="checkbox"/> support leg  1xL	<b>M</b> <input type="checkbox"/> metal plate  4xM	<b>N</b> <input type="checkbox"/> wall fixing  M4x30mm M3.5x14mm 1xN	
<b>O</b> <input type="checkbox"/> door axis  2xO	<b>P</b> <input type="checkbox"/> door axis  2xP	<b>Q</b> <input type="checkbox"/> adjustable foot  1xQ	<b>R</b> <input type="checkbox"/> stopper  1xR	<b>S</b> <input type="checkbox"/> cam lock  3xS
<b>T</b> <input type="checkbox"/> screw  M4.2x40mm 3xT	<b>CL</b> <input type="checkbox"/> runner  300mm 3 xCL	<b>CR</b> <input type="checkbox"/> runner  300mm 3 xCR	<b>DL</b> <input type="checkbox"/> runner  300mm 3 xDL	<b>DR</b> <input type="checkbox"/> runner  300mm 3 xDR

# CAM LOCK INSTALL METHOD AS FOLLOWS

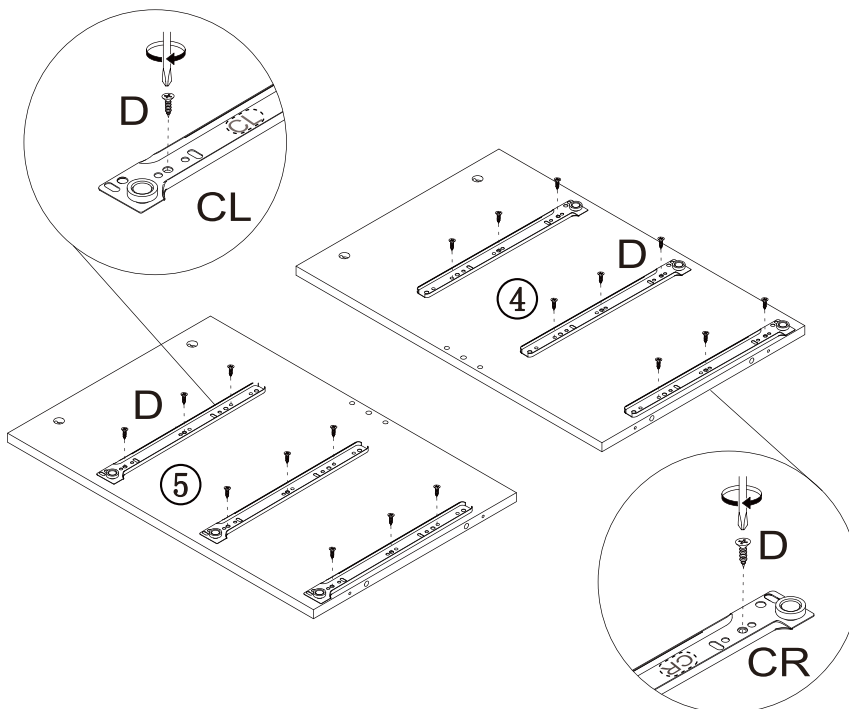


<b>PART NUMBER</b>	<b>QTY</b>	<b>DIMENSIONS (MM)</b>
1	1	1500x393x30
2	1	1500x390x15
3	1	588x388x15
4	1	588x385x15
5	1	588x388x15
6	1	967x363x15
7	1	484x140x15
8	1	582x479x15
9	1	582x479x15
10	3	478x192x15
11	3	330x140x15
12	3	330x140x15
13	3	429x140x15
14	3	437x322x2.7
15	2	1492x300x2.7
16	1	1464
17	3	314x50x12
18	1	967x75x15

# 1



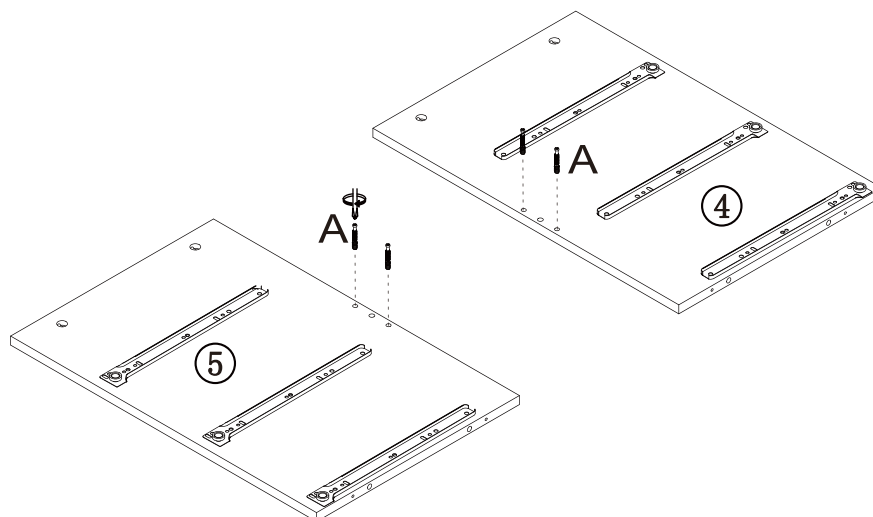
STEP 1: Fix runners(CL)(CR) to panels(4)(5) with screws(D).



# 2



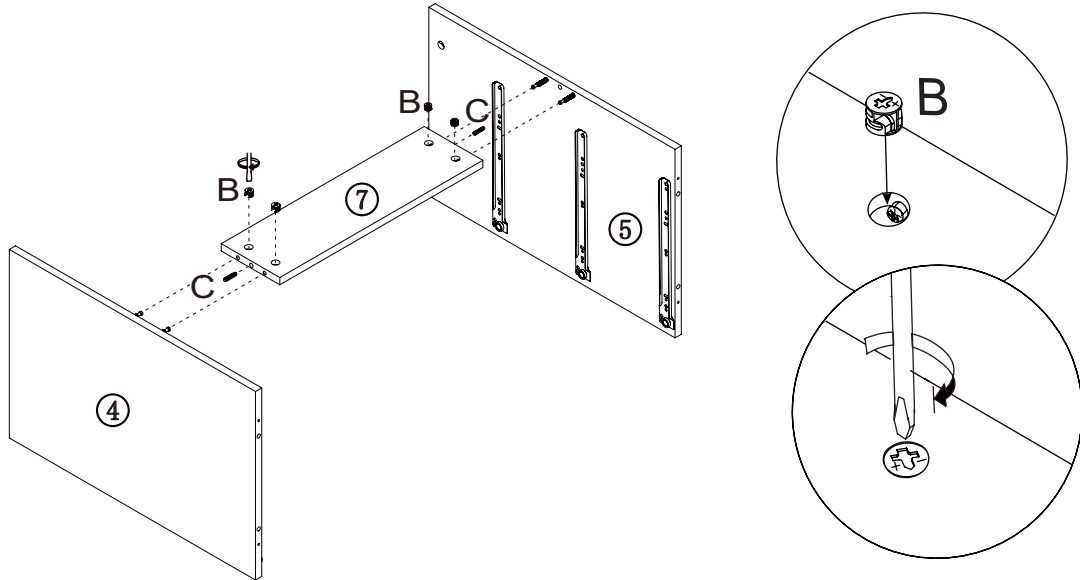
STEP 2: Fix cam pin (A) to panels(4)(5).



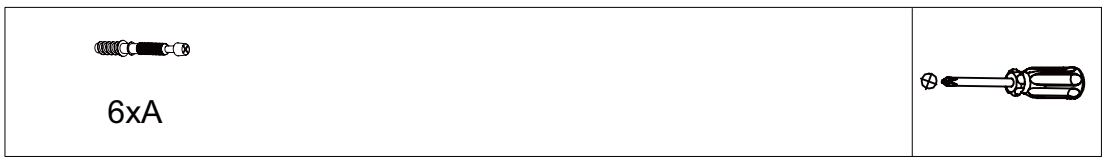
# 3



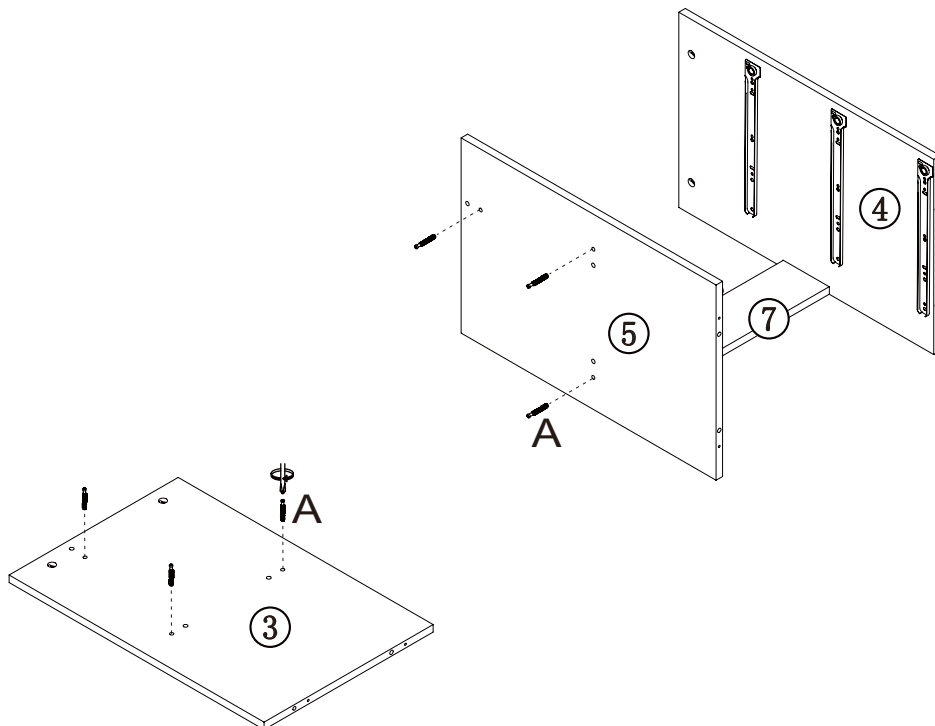
STEP 3: Attach panels(4)(5) to panel (7) with dowel(C) and cam lock parts.



# 4



STEP 4: Fix cam pin (A) to panels(3)(5).

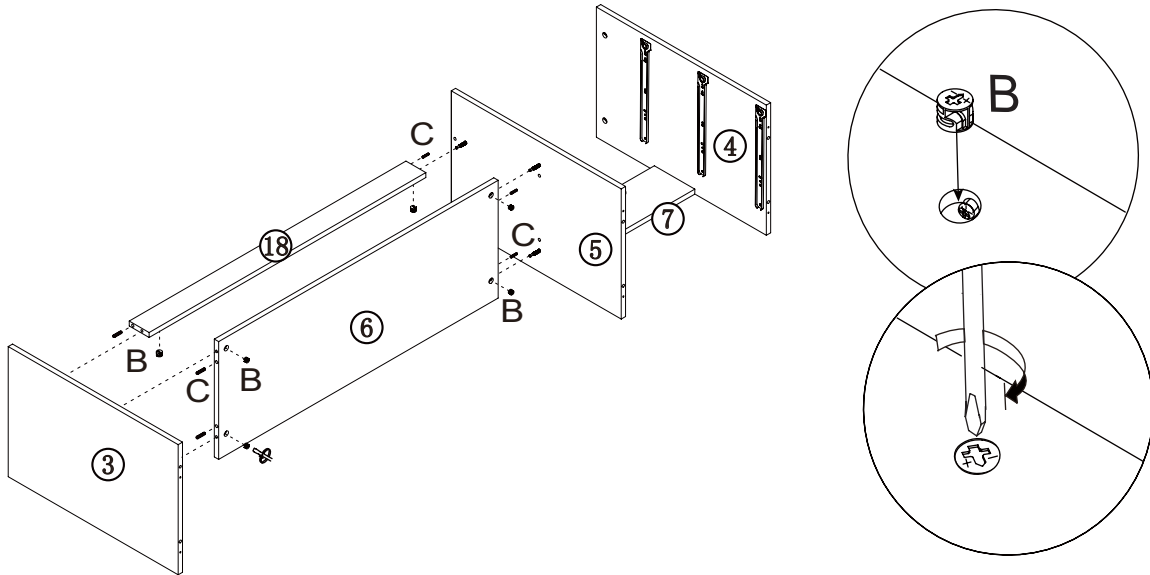




# 5



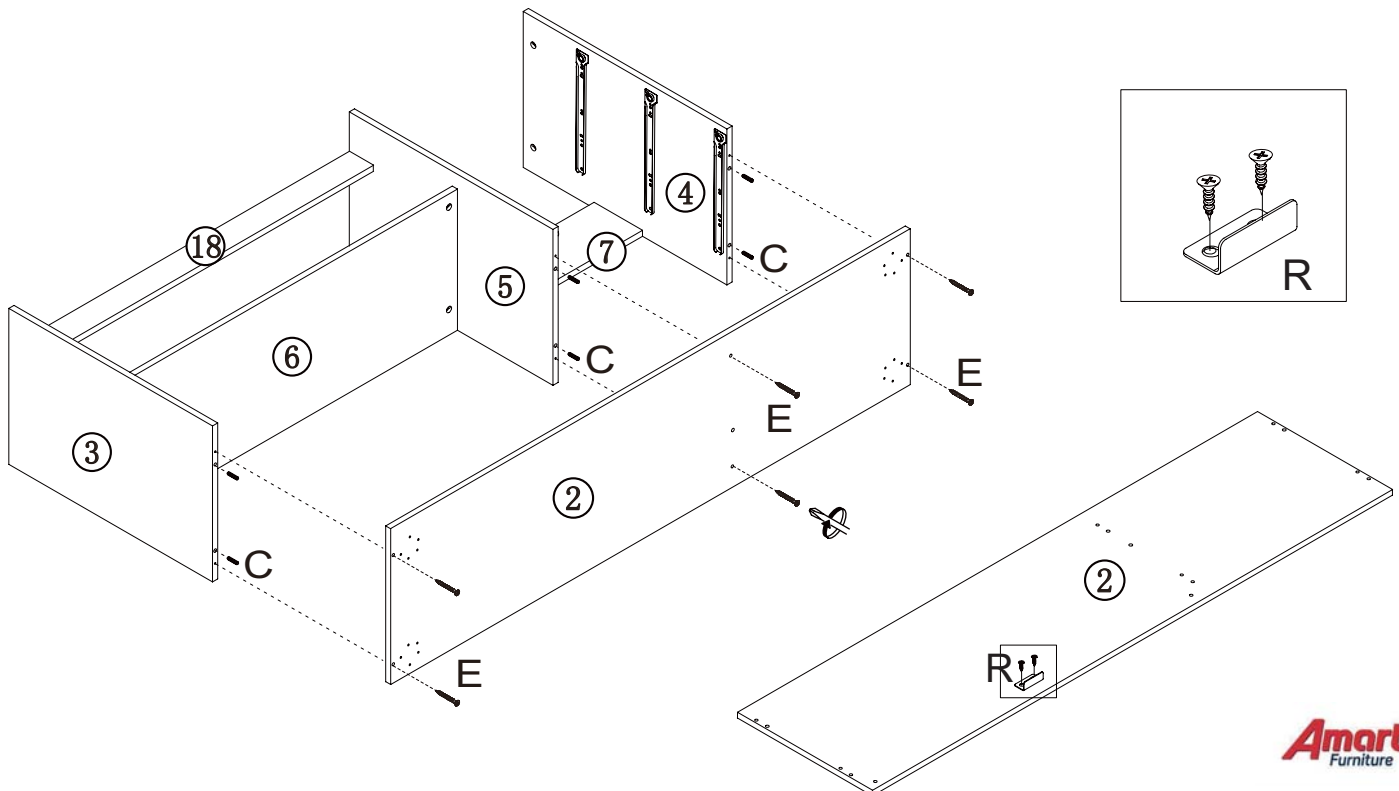
STEP 5: Attach panel(18) to panels(3)(5) with dowel(C) and cam lock parts.



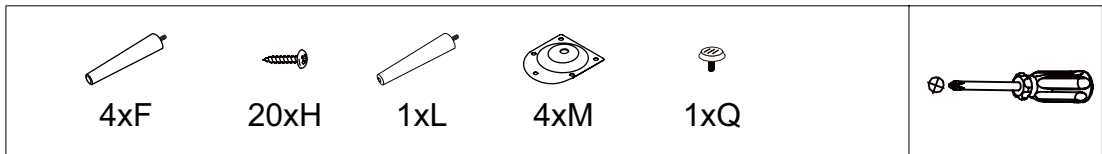
# 6



STEP 6: Fix stopper(R) to panel(2) .  
Attach panel(2) to the body with screws(E).

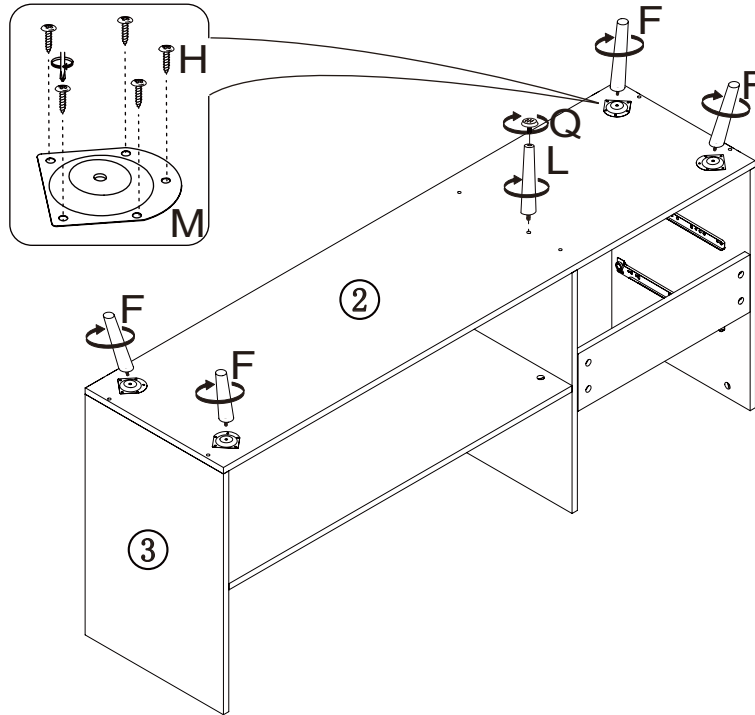


# 7



STEP 7: Fix metal plates(M) to panel(2) with screws(H).

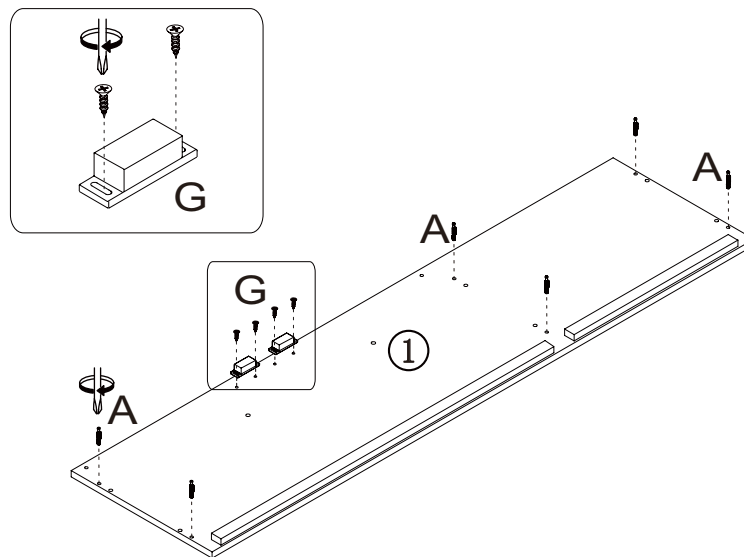
Fix legs(F) to metal plate(M). Fix legs (L) to panel(2), and fix adjustable foot (Q) to leg (L).



# 8



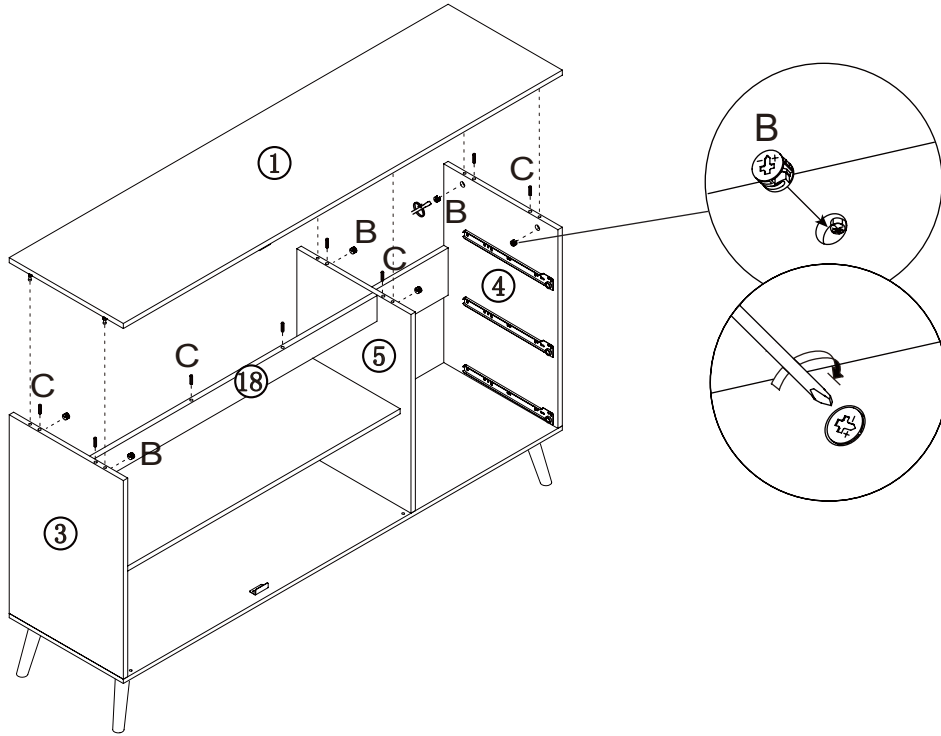
STEP 8: Fix door catch (G) to panel(1).



# 9



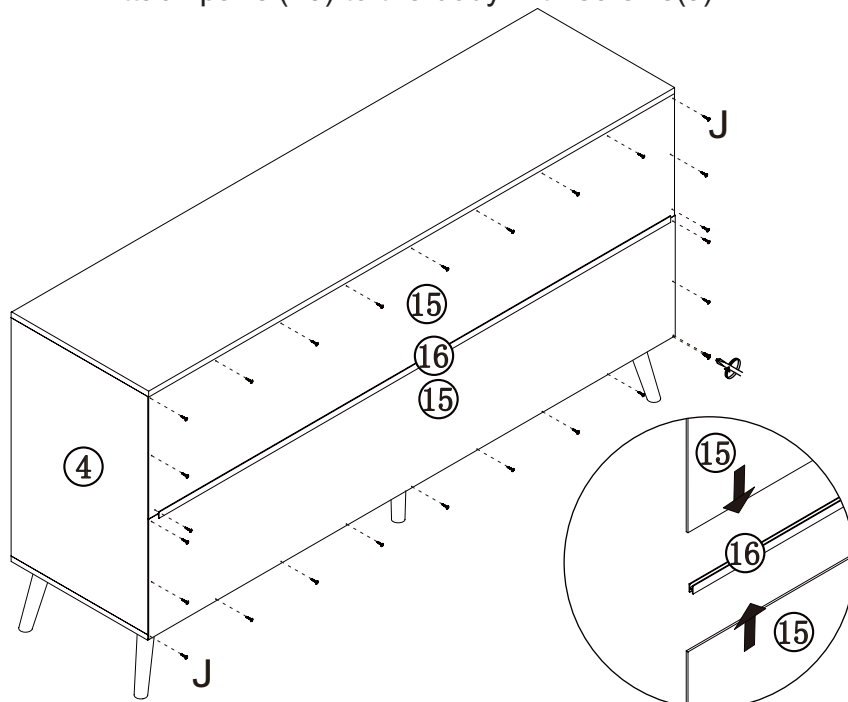
STEP 9: Attach panel(1) to the body with dowel(C) and cam lock parts.



# 10



STEP 10: Join panels (15) with filler(16).  
Attach panel(15) to the body with screws(J).



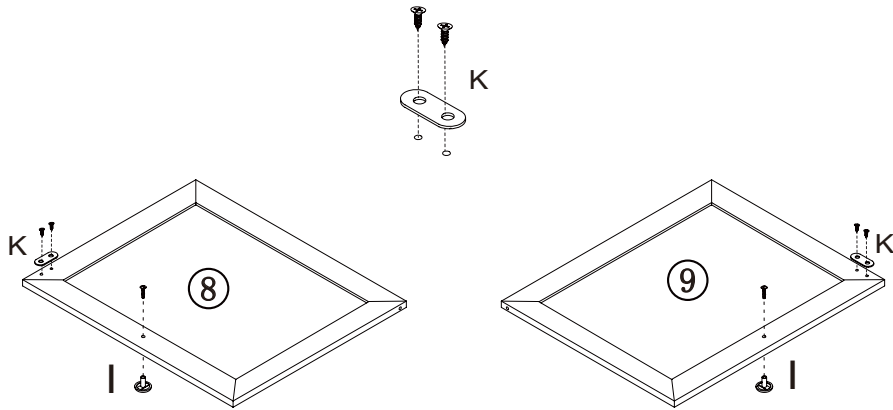
**Amart**  
Furniture

Item Code: 70234

# 11



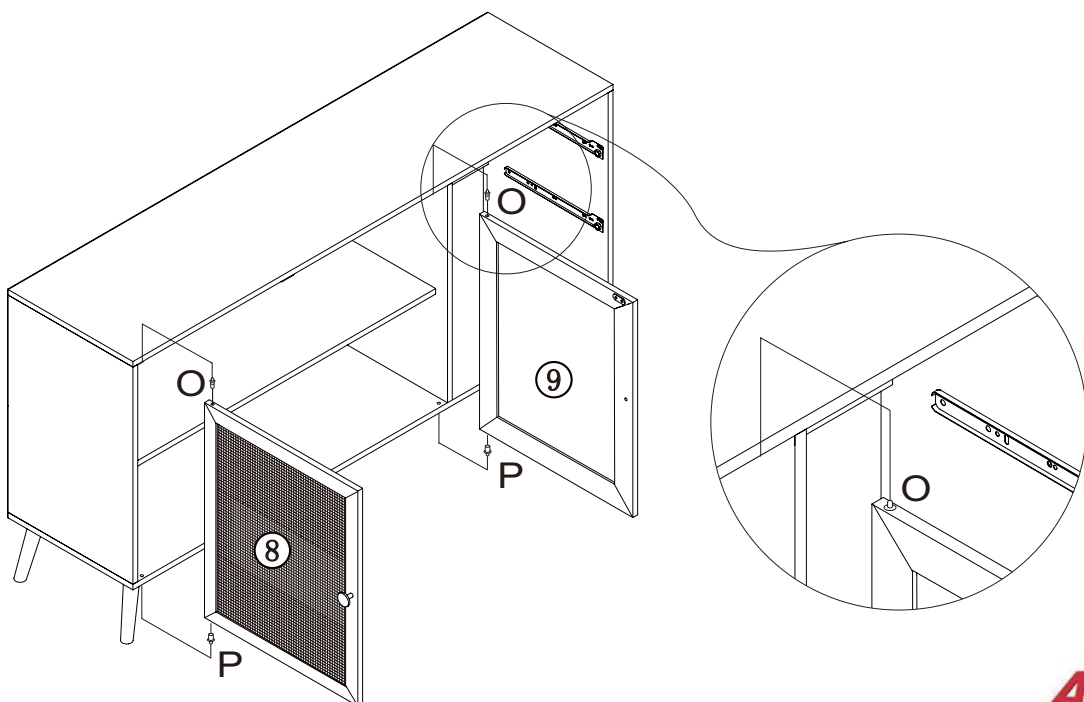
STEP 11: Fix handle(I) and stopper (K) to panels (8)(9).



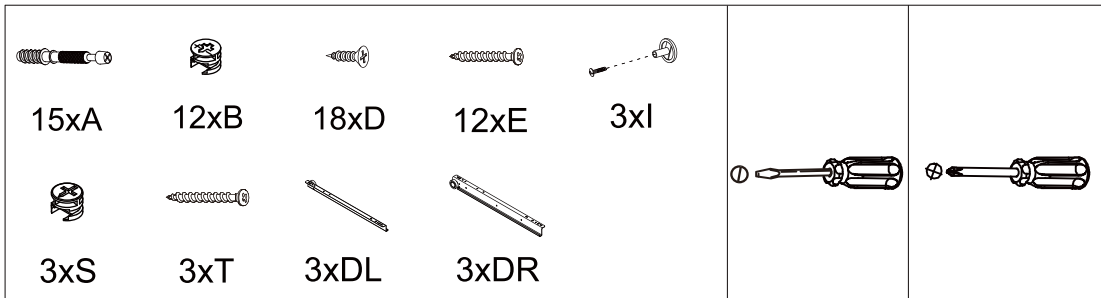
# 12



STEP 12: Fix panels (8)(9) to the body with door axis(O)(P).  
Fix door axis(P) firstly ,then press door axis(O)into hole position.

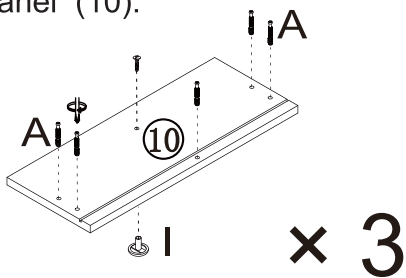


# 13

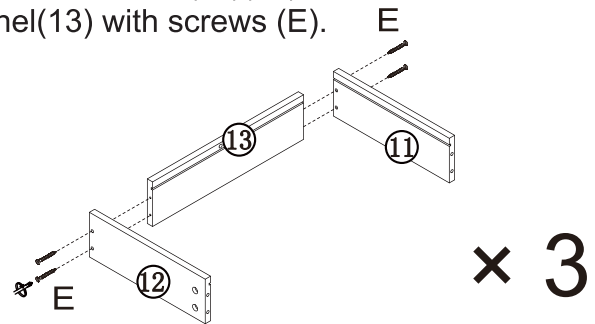


STEP 13: Install drawers as shown in diagram.

1A: Fix cam lock (A) and handle (I) to panel (10).



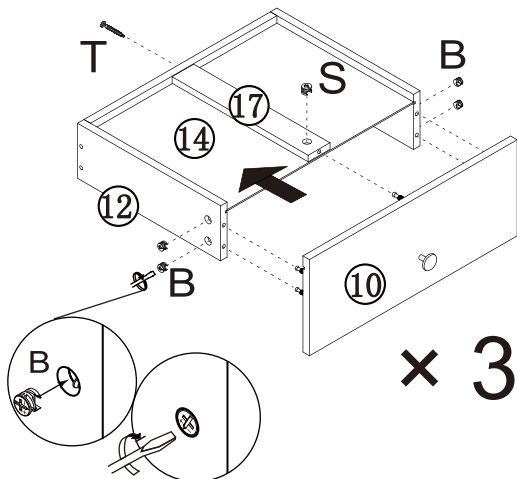
2: Join side panels (11)(12) and back panel (13) with screws (E).



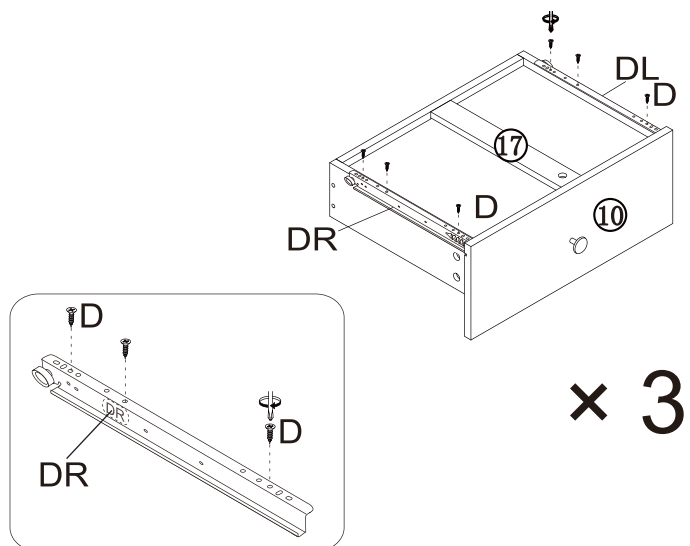
3A: Put bottom panel (14) into groove of panel (11)(12) and (13).

3B: Insert panel (17) to the bottom of drawer with cam lock (S) and screw (T).

3C: Attach drawer front (10) to the drawer with cam lock (B).

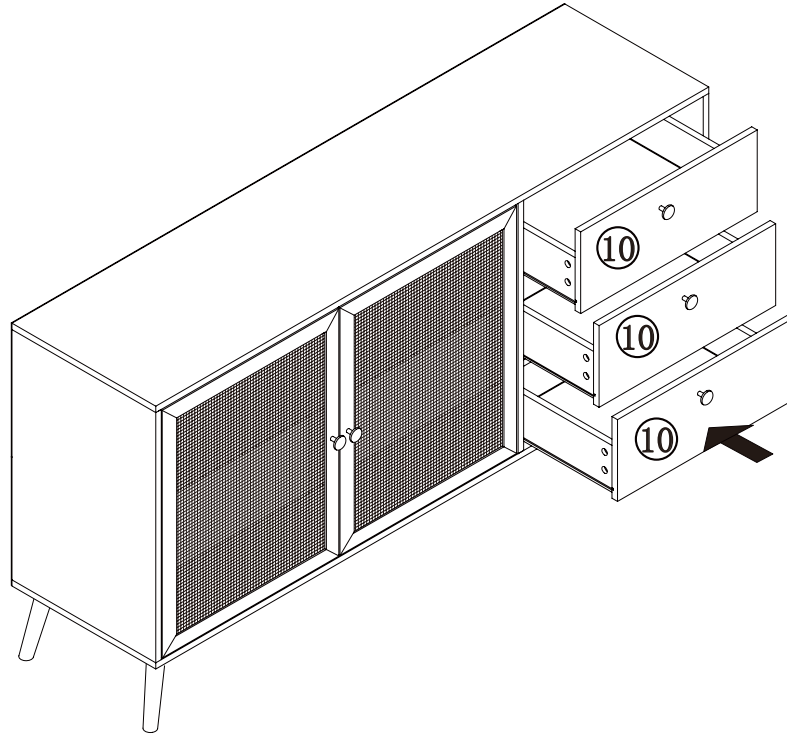


4: Install runner (DR)(DL) to the bottom of drawer with screws (D).



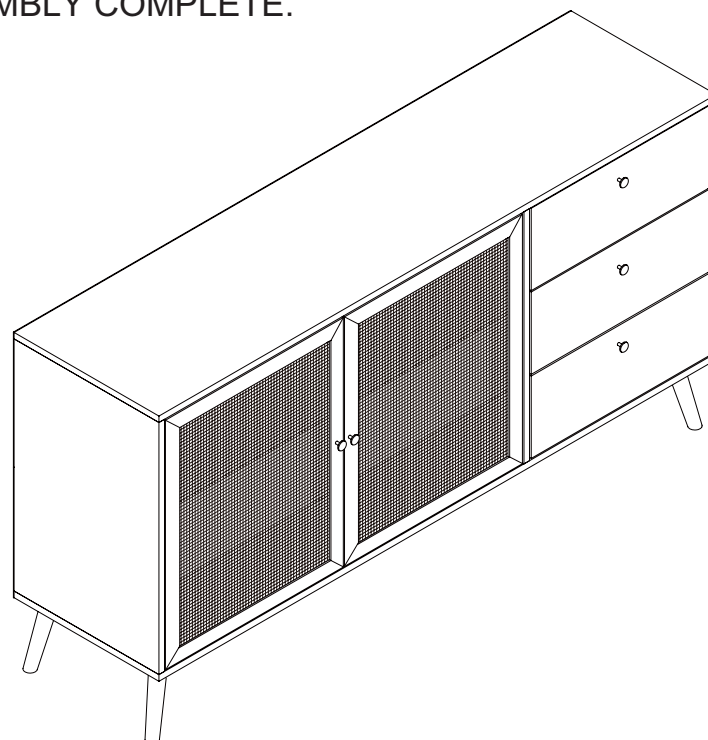
# 14

STEP 14: Assemble drawers to the body.



# 15

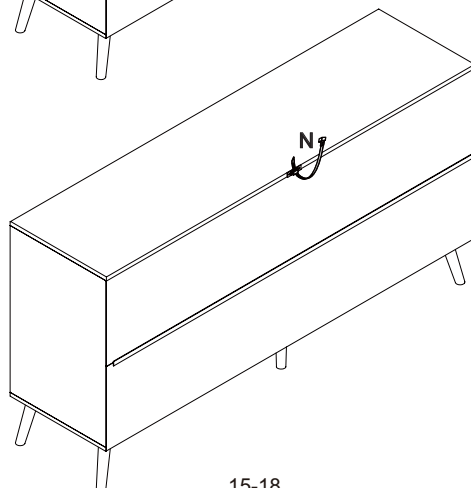
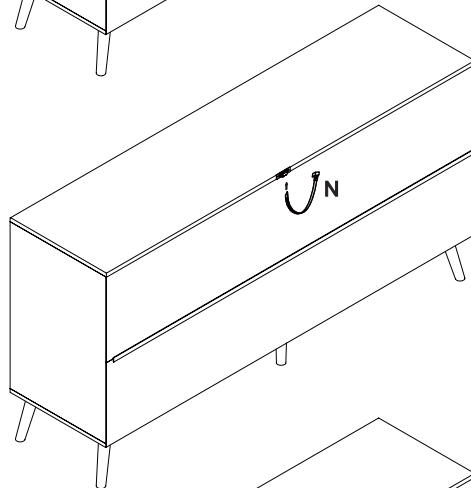
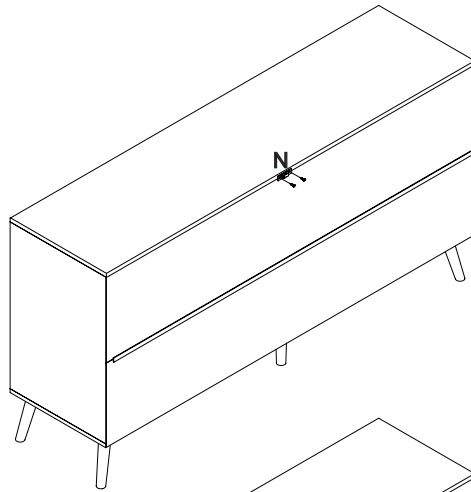
ASSEMBLY COMPLETE.

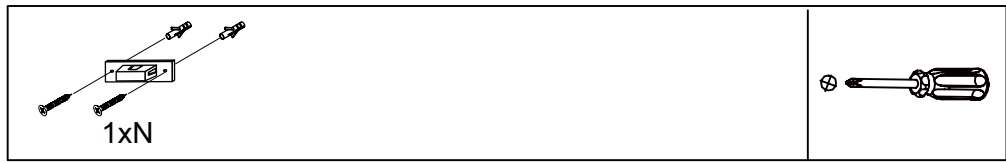




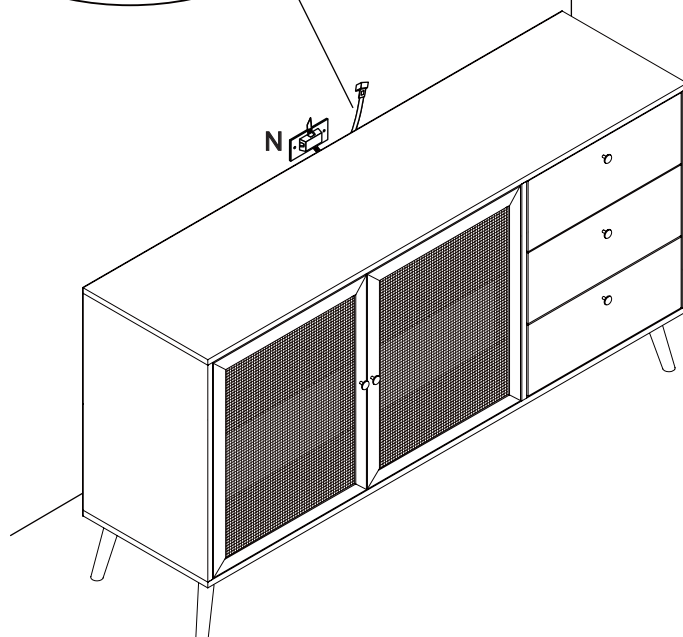
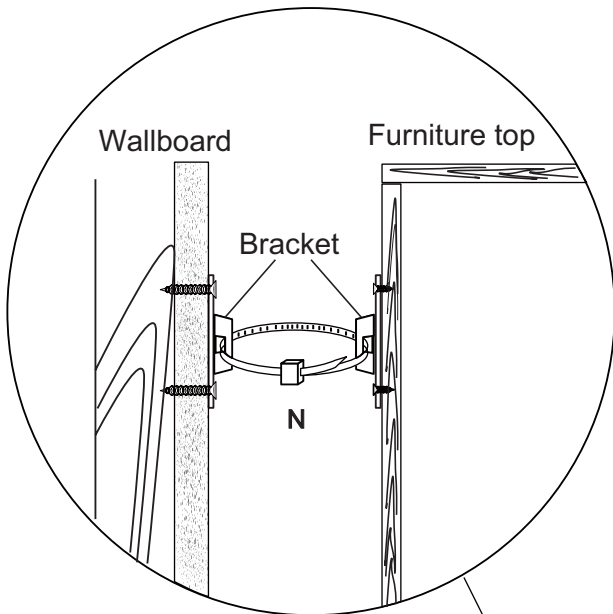
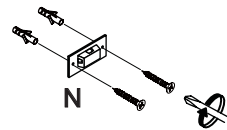
**STEP 1: Fix bracket to back panel using screws M3.5\*14MM .  
Put plastic tie into bracket.**

**NOTE** - This product must be fixed to a wall. Please ensure the correct wall fixings are used. Failure to do so may result in personal injury or cause property damage if the product topples over. Please note that the screws are only suitable for plasterboard wall materials, please contact local hardware store for corresponding screws for other wall materials.





STEP 2: Fix bracket onto the wall using screws M4\*30MM.  
Join wallboard and the furniture with plastic tie.

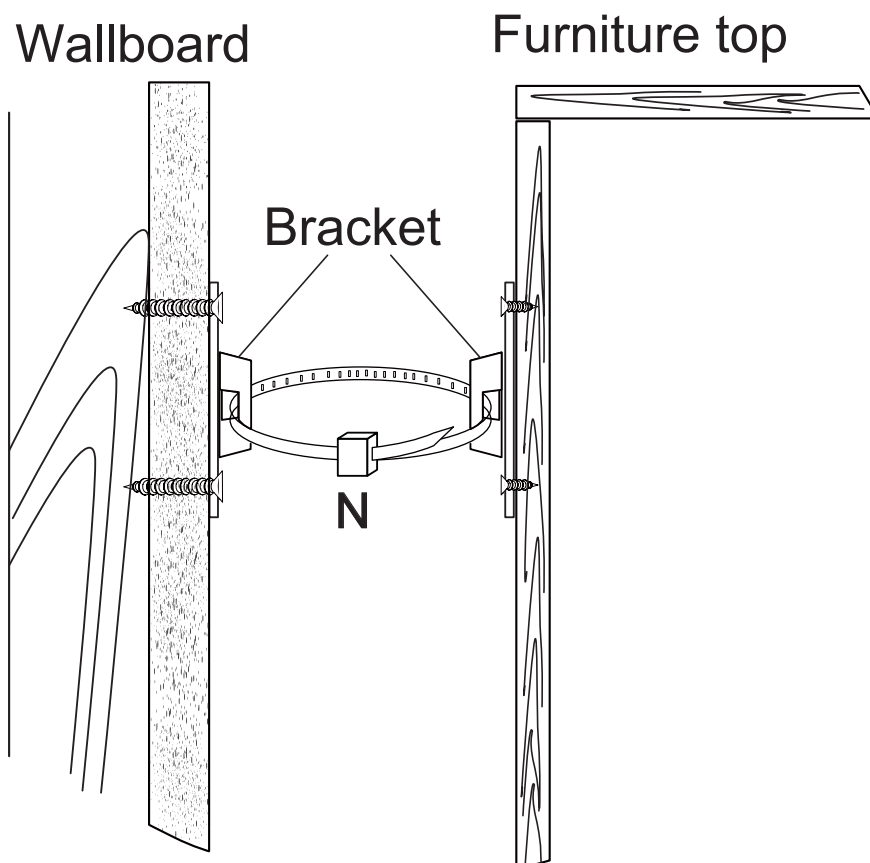






## SAFETY BRACKETS INSTRUCTIONS

1. Attach a bracket to the wallboard with the long screws provided.
2. Attach a bracket to the furniture frame under the top with the short screws provided.
3. Move the furniture into its final position. Thread a strap through the bracket as shown in the illustration, tighten strap until snug. Do not over tighten.
4. Make sure the bracket is firmly attached to the wallboard and furniture, and the strap is snug.



## **PRODUCT CARE:**

To protect your furniture, we suggest the following:

\*Avoid placing your furniture in direct sunlight.

\*Do not place furniture directly under windows.

\*Do not place sharp materials(knife, fork, etc) directly onto your furniture as sharp material may scrape and damage the finish.

Do not place material with high temperature directly onto the surface of your furniture.

\*Protective padding is strongly recommended when using your furniture .

\*Clean up spills quickly. Water left over a prolonged period of time may cause damage. Alcohol, perfume, nail polishes, aftershave and some medication may cause severe finish damage if not cleaned immediately.

\*Use a clean, soft, dry, lint free absorbant cloth to clean your furniture. Do not use any detergent as they may contain ingredients that may react and damage the finish.